

ASSEMBLY INSTRUCTIONS

CAUTION:Read All Instructions Carefully For Safe Operation and Installation.

Turn off the main power at the circuit breaker before installation, replacing lamp or maintenance.

1. Remove the fixture and mounting hardware package from the carton.
2. Dismount the lampshades (1): Twist the buttons (26) on the spring clip (8); Then Pull the spring clip (8) outward, loosen the spring clip (8) from the lampshades (1), Take lampshades (1) out from the back plate (6). (See Fig.2)

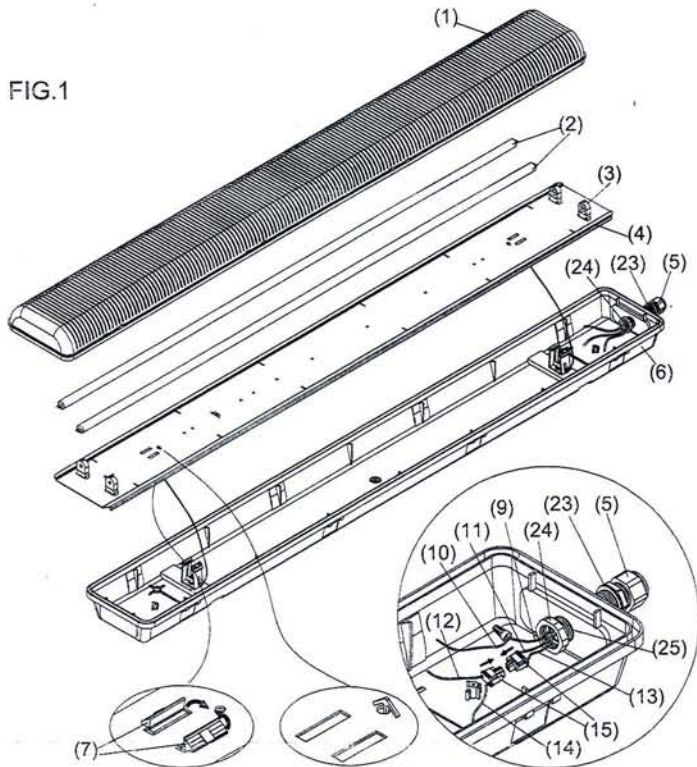


FIG.1

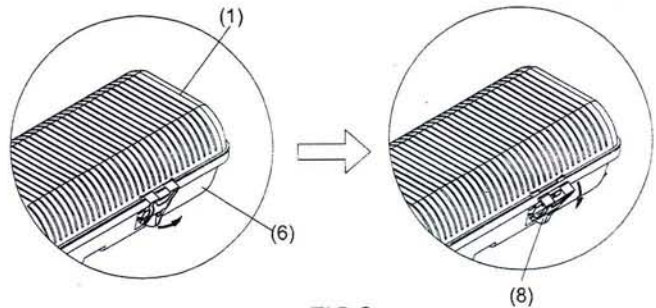


FIG.2

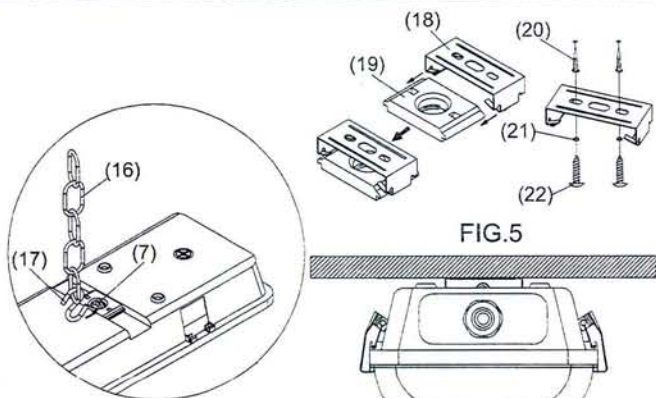


FIG.5

FIG.3

FIG.4

FIG.6

FIG.7

3. Press the shelf (7) on the back plate (6), then separate the bottom plate (4) from the back plate (6). Take the bottom plate (4) out from the back plate (6). (See Fig.3)
4. Attach knob (5) to the back plate (6) using hexagon nut (24) and washer (23) provided. Insert 1/2" or 3/8" conduit through the hole (25) on the back plate (6) and secure it by knob (5). (See Fig.4)
5. Make the wires connection: connected the House Ground Wire (9) to the Fixture Ground Wire (10) using wire connector. connected the White Supply Wire (11) to the White Fixture Wire (12); connected the Black Supply Wire (13) to the Black Fixture Wire (14) using Luminaire Disconnect (15). (See Fig.4)
6. Lock the bottom plate (4) on the back plate (6) by pressing shelf (7).
7. Insert lamp (2) to the socket (3) and test unit by restoring power. If unit does not light correctly, **turn off power** before making corrections. Please follow the wattage label on the fixture body. Do not exceed recommended maximum wattage.
8. Fix the lampshades (1) on the back plate (6) with spring clip (8) as contrary to the procedure 2.
9. Two ways for choices according to the situation:
 - A. Mount the above hanging slice (18) to the below hanging slice (19) fix and place to the ceiling where the fixture will be fixed. Mark the two holes of the above hanging slice (18) and remove the fixture body. Drill four holes with drill. Mount the two above hanging slices (18) to the ceiling, using four anchors (20), four washers (21) and four anchor screws (22). (See Fig 5). Install the lighting fixture on the above hanging slice (18). (See Fig 7)
 - B. Attach the loops of the hanging " S " hooks (17) to the Chains (16) (not included). Feed the loops of the " S " Hooks (17) through the provided holes of the shelves (7). (See Fig6)

NOTE:FIXTURE MUST BE WIRED IN ACCORDANCE WITH ALL NATIONAL/LOCAL ELECTRICAL CODES.

CAUTION:Disconnect electrical power before installing/servicing any part of fixture.

"MIN 90°C SUPPLY LEADS"